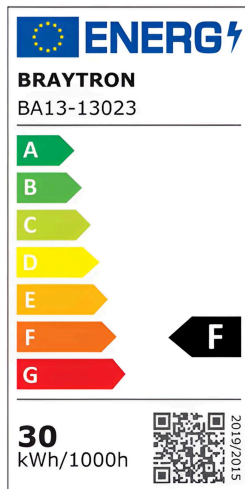
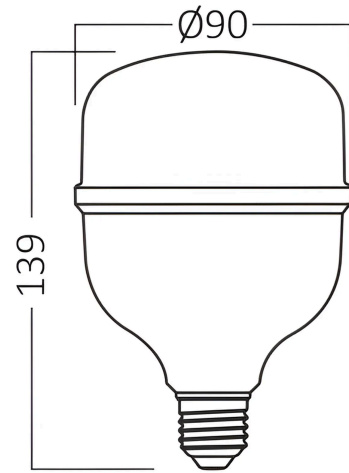


Braytron

TECHNICAL DATA SHEET

MODEL	BA13-13023
DESCRIPTION	BRY-ADVANCE-30W-E27-T90-6500K-LED BULB



BRAYTRON SRL

MUNICIPIUL BUCUREȘTI, SECTOR 6, BLD. IULIU MANIU, NR.616, CORP B, ET.1,BUCUREȘTI, Sector 6(RO)
info@braytron.com
www.braytron.com

General Characteristics

Model No	:	BA13-13023
Main Family	:	Bulbs & Tubes
Sub Family	:	T Shape Bulbs
Type	:	T90
Body Color	:	White
Lamp Shape	:	Non-Directional
Dimmable	:	Not-Dimmable
Light Source	:	LED
Socket	:	E27
Warranty	:	2 Years
Class	:	CLASS II
IP	:	IP20

Product Characteristics

Wattage	:	30
Color Temperature	:	6500K
Quse Lumen	:	2630
Color Rendering Index (CRI)	:	≥80
Energy Efficiency Level	:	F
Beam Angle	:	180°
Equivalent	:	160 w

Electrical Characteristics

Lifetime	:	15000 h
Voltage	:	220-240V 50/60Hz
Power Factor	:	>0,5
Material	:	PBT
Working Temperature	:	-20°C ~ +40°C

Dimensions & Weight

Diameter	:	90 mm
P. Height	:	139 mm
Weight	:	67 gr

Package Informations

N.W.	:	2,7 kgs
G.W.	:	4,3 kgs
PCS/CTN	:	40
Length	:	47,5 cm
Width	:	38,5 cm
Height	:	30,5 cm
EAN	:	5949097721526