

# Braytron

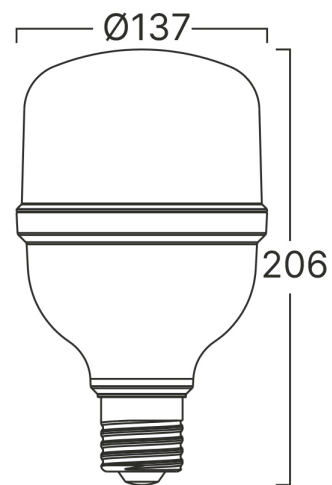
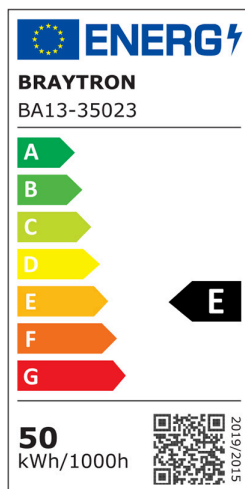
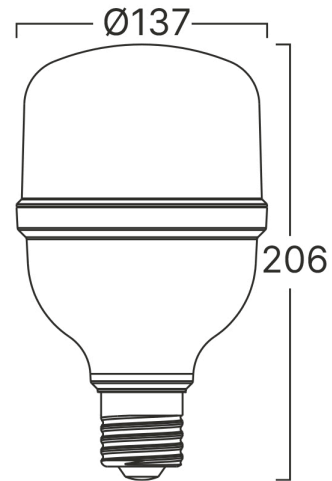
## TECHNICAL DATA SHEET

MODEL

BA13-35023

DESCRIPTION

BRY-ADVANCE-50W-E27-T140-PLS-6500K-LED BULB



BRAYTRON SRL

MUNICIPIUL BUCUREȘTI, SECTOR 6, BLD. IULIU MANIU, NR.616, CORP B, ET.1,BUCUREȘTI, Sector 6(RO)  
info@braytron.com  
www.braytron.com

### General Characteristics

Model No	:	BA13-35023
Main Family	:	Bulbs & Tubes
Sub Family	:	T Shape Bulbs
Type	:	T140
Body Color	:	White
Lamp Shape	:	Non-Directional
Socket	:	E27
Warranty	:	2 Years
Class	:	CLASS II
IP	:	IP20

### Product Characteristics

Wattage	:	50
Color Temperature	:	6500K
Quse Lumen	:	5500
Color Rendering Index (CRI)	:	≥80
Energy Efficiency Level	:	E
Equivalent	:	320 w

### Electrical Characteristics

Lifetime	:	15000 h
Voltage	:	220-240V 50/60Hz
Power Factor	:	>0,5
Material	:	PBT
Working Temperature	:	-20°C ~ +40°C

### Dimensions & Weight

Diameter	:	137 mm
P. Height	:	206 mm
Weight	:	161 gr

### Package Informations

N.W.	:	1,3 kgs
G.W.	:	2,4 kgs
PCS/CTN	:	8
Length	:	57 cm
Width	:	29 cm
Height	:	24 cm
EAN	:	5949097726156

BRAYTRON SRL

MUNICIPIUL BUCUREȘTI, SECTOR 6, BLD. IULIU MANIU, NR.616, CORP B, ET.1,BUCUREȘTI, Sector 6(RO)  
info@braytron.com  
www.braytron.com