

Braytron

TECHNICAL DATA SHEET

MODEL	BA23-01281
DESCRIPTION	BRY-PREMIUM-12W-3IN1-38D-LED MODUL



Braytron

LED MODUL LIGHT

MODEL NO: BA23-01281

12w - 950lm
Equivalent 80w

3CCT SWITCH

3000K 4000K 6000K

LED MODUL

38° BEAM ANGLE

LED 90 CRI

Ø55
47
49

PREMIUM

ENERGY

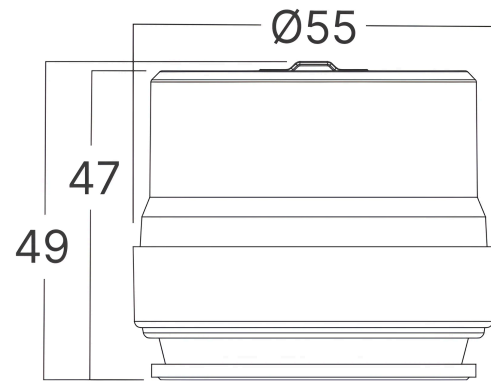
BRAYTRON
BA23-01281

A
B
C
D
E
F
G

F

12
kWh/1000h

2019/2015



BRAYTRON SRL

MUNICIPIUL BUCUREȘTI, SECTOR 6, BLD. IULIU MANIU, NR.616, CORP B, ET.1,BUCUREȘTI,Sector 6(RO)
info@braytron.com
www.braytron.com

General Characteristics

Model No	:	BA23-01281
Main Family	:	Bulbs & Tubes
Sub Family	:	MR16 Bulbs
Type	:	Led Modul
Body Color	:	White
Lamp Shape	:	Directional
Dimmable	:	Not-Dimmable
Light Source	:	LED
Socket	:	N/A
Warranty	:	2 Years
Class	:	CLASS II
IP	:	IP20

Product Characteristics

Wattage	:	12
Color Temperature	:	3IN1
Quse Lumen	:	1120
Color Rendering Index (CRI)	:	≥80
Energy Efficiency Level	:	F
Beam Angle	:	38°

Electrical Characteristics

Lifetime	:	15000 h
Voltage	:	220-240V 50/60Hz
Power Factor	:	>0,5
Material	:	PA+PC
Working Temperature	:	-20°C ~ +40°C

Dimensions & Weight

Diameter	:	55 mm
P. Height	:	49 mm
Weight	:	56 gr

Package Informations

N.W.	:	5,6 kgs
G.W.	:	7,2 kgs
PCS/CTN	:	100
Length	:	65,5 cm
Width	:	34 cm
Height	:	14 cm
EAN	:	5949097747526