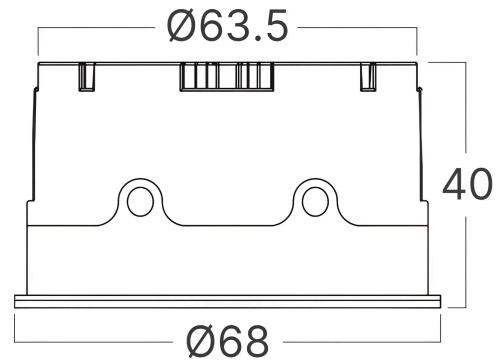
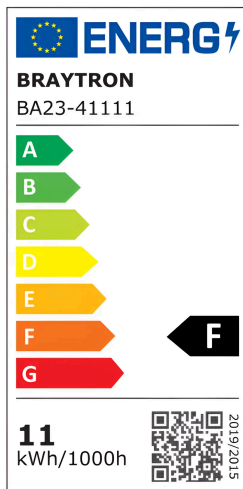


Braytron

TECHNICAL DATA SHEET

MODEL	BA23-41111
DESCRIPTION	BRY-PREMIUM-ALM-11W-4000K-38D-MR16 LED MODUL



BRAYTRON SRL

MUNICIPIUL BUCUREȘTI, SECTOR 6, BLD. IULIU MANIU, NR.616, CORP B, ET.1,BUCUREȘTI,Sector 6(RO)
info@braytron.com
www.braytron.com

General Characteristics

Model No	:	BA23-41111
Main Family	:	Bulbs & Tubes
Sub Family	:	MR16 Bulbs
Type	:	Led Modul
Body Color	:	White
Lamp Shape	:	Directional
Dimmable	:	Not-Dimmable
Light Source	:	LED
Socket	:	N/A
Warranty	:	3 Years
Class	:	CLASS II
IP	:	IP20

Product Characteristics

Wattage	:	11
Color Temperature	:	4000K
Quse Lumen	:	1000
Color Rendering Index (CRI)	:	≥90
Energy Efficiency Level	:	F
Beam Angle	:	38°

Electrical Characteristics

Lifetime	:	20000 h
Voltage	:	220-240V 50/60Hz
Power Factor	:	>0,5
Material	:	Aluminium+PC
Working Temperature	:	-20°C ~ +40°C

Dimensions & Weight

Diameter	:	68 mm
P. Height	:	40 mm
Cutout	:	63 mm
Weight	:	120 gr

Package Informations

N.W.	:	6 kgs
G.W.	:	6,9 kgs
PCS/CTN	:	50
Length	:	37 cm
Width	:	25 cm
Height	:	16 cm
EAN	:	5949097748561

BRAYTRON SRL

MUNICIPIUL BUCUREȘTI, SECTOR 6, BLD. IULIU MANIU, NR.616, CORP B, ET.1,BUCUREȘTI,Sector 6(RO)
info@braytron.com
www.braytron.com