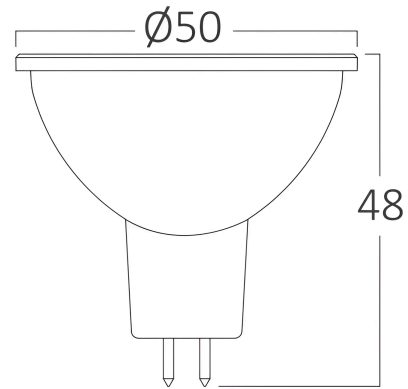
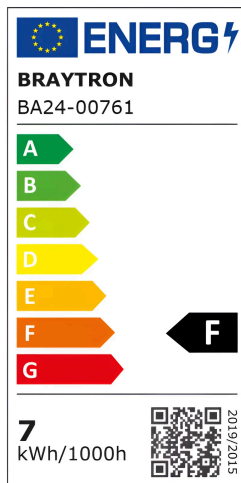
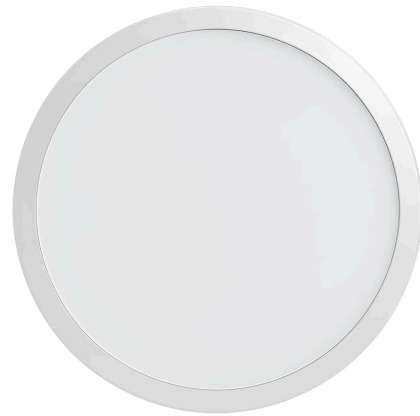


Braytron

TECHNICAL DATA SHEET

MODEL	BA24-00761
DESCRIPTION	BRY-ADVANCE-7W-GU5.3-110D-4000K-LED BULB



BRAYTRON SRL

MUNICIPIUL BUCUREȘTI, SECTOR 6, BLD. IULIU MANIU, NR.616, CORP B, ET.1,BUCUREȘTI,Sector 6(RO)
info@braytron.com
www.braytron.com

General Characteristics

Model No	:	BA24-00761
Main Family	:	Bulbs & Tubes
Sub Family	:	MR16 Bulbs
Type	:	GU5.3
Body Color	:	White
Lamp Shape	:	Non-Directional
Dimmable	:	Not-Dimmable
Light Source	:	LED
Socket	:	GU5.3
Warranty	:	2 Years
Class	:	CLASS II
IP	:	IP20

Product Characteristics

Wattage	:	7
Color Temperature	:	4000K
Quse Lumen	:	580
Color Rendering Index (CRI)	:	≥80
Energy Efficiency Level	:	G
Beam Angle	:	110°
Equivalent	:	70 w

Electrical Characteristics

Lifetime	:	15000 h
Voltage	:	220-240V 50/60Hz
Power Factor	:	>0,5
Material	:	PBT
Working Temperature	:	-20°C ~ +40°C
Current	:	57 mA

Dimensions & Weight

Diameter	:	50 mm
P. Height	:	48 mm
Weight	:	21 gr

Package Informations

N.W.	:	2,12 kgs
G.W.	:	3,65 kgs
PCS/CTN	:	100
Length	:	530 mm
Width	:	275 mm
Height	:	140 mm
EAN	:	5949097711558

BRAYTRON SRL

MUNICIPIUL BUCUREȘTI, SECTOR 6, BLD. IULIU MANIU, NR.616, CORP B, ET.1,BUCUREȘTI, Sector 6(RO)

info@braytron.com

www.braytron.com