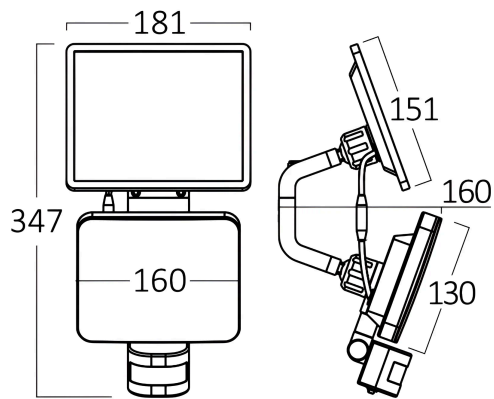


Braytron

TECHNICAL DATA SHEET

MODEL	BG36-00211
DESCRIPTION	BRY-SOLARIS-W2-BLC-15W-4000K-IP54-SOLAR WALL LIGHT



BRAYTRON SRL

MUNICIPIUL BUCUREȘTI, SECTOR 6, BLD. IULIU MANIU, NR.616, CORP B, ET.1,BUCUREȘTI,Sector 6(RO)
info@braytron.com
www.braytron.com

General Characteristics

Model No	:	BG36-00211
Main Family	:	Solar Lighting
Sub Family	:	Solar Wall Light
Type	:	Solar
Body Color	:	Black
Dimmable	:	Not-Dimmable
Light Source	:	LED
Warranty	:	2 Years
Class	:	CLASS III
IP	:	IP54

Product Characteristics

Wattage	:	15
Color Temperature	:	3IN1
Quse Lumen	:	1500
Color Rendering Index (CRI)	:	≥80
Beam Angle	:	120°

Electrical Characteristics

Lifetime	:	20000 h
Voltage	:	Solar Panel Energy
Material	:	ABS
Working Temperature	:	-20°C ~ +40°C
Working Time	:	2 h (Full light)-18 h (Night light)

Battery Informations

Battery	:	18650 Li-Ion Battery 3.7V 4000mA
Charging Time	:	7 h-8 h at 50.000 Lux

Dimensions & Weight

P. Length	:	347 mm
P. Width	:	181 mm
P. Height	:	160 mm
Weight	:	810 gr

Sensor Informations

Sensor Type	:	Motion
Detection Distance	:	1m-10m
Detection Angle	:	160° Degrees
Time Delay	:	10sec-1min
Lux	:	30-10000 lux

Solar Informations

Solar Power	:	8w
Solar Panel	:	5,5V, 600mA

Package Informations

N.W.	:	8,10 kgs
G.W.	:	9,55 kgs
PCS/CTN	:	10
Length	:	620 mm
Width	:	390 mm
Height	:	190 mm
EAN	:	5949097731723

BRAYTRON SRL

MUNICIPIUL BUCUREȘTI, SECTOR 6, BLD. IULIU MANIU, NR.616, CORP B, ET.1,BUCUREȘTI,Sector 6(RO)
info@braytron.com
www.braytron.com