

Braytron

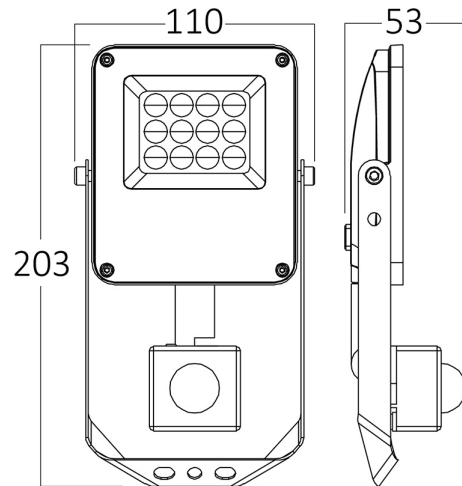
TECHNICAL DATA SHEET

MODEL	BT65-21082
DESCRIPTION	BRY-FLOOD-PF-10W-GRY-3IN1-SNS-IP54-LED FLOODLIGHT



Braytron
LED FLOODLIGHT
MODEL NO: BT65-21082
10w - 1100lm
3CCT SWITCH
3000K 4000K 6500K
INFRARED MOTION SENSOR
INFRARED MOTION SENSOR
Time Delay 30sec - 5min. (adjustable)
Lux 10-2000lux (adjustable)
LED
IP54
FLOOD
E

ENERGY
BRAYTRON
BT65-21082
A
B
C
D
E
F
G
10 kWh/1000h
2019/2015



BRAYTRON SRL

MUNICIPIUL BUCUREȘTI, SECTOR 6, BLD. IULIU MANIU, NR.616, CORP B, ET.1,BUCUREȘTI, Sector 6(RO)
info@braytron.com
www.braytron.com

General Characteristics

Model No	:	BT65-21082
Main Family	:	Outdoor Lighting
Sub Family	:	LED Floodlight
Type	:	Floodlight
Body Color	:	Grey
Lamp Shape	:	Non-Directional
Dimmable	:	Not-Dimmable
Light Source	:	LED
Warranty	:	2 Years
Class	:	CLASS I
IP	:	IP54

Product Characteristics

Wattage	:	10
Color Temperature	:	3IN1
Quse Lumen	:	1100
Color Rendering Index (CRI)	:	≥80
Energy Efficiency Level	:	E
Beam Angle	:	90°

Electrical Characteristics

Lifetime	:	20000 h
Voltage	:	220-240V 50/60Hz
Power Factor	:	>0,9
Material	:	Aluminium
Working Temperature	:	-20°C ~ +40°C

Dimensions & Weight

P. Length	:	203 mm
P. Width	:	110 mm
P. Height	:	53 mm
Weight	:	280 gr

Sensor Informations

Sensor Type	:	Motion
Detection Distance	:	≤8 mt
Detection Angle	:	120° Degrees
Detection Speed	:	0,6-1,5m/s
Installation Height	:	2-3 mt
Time Delay	:	30sec-5min
Lux	:	10-2000 lux

Package Informations

N.W.	:	5,6 kgs
G.W.	:	6,9 kgs
PCS/CTN	:	20
Length	:	60 cm
Width	:	24,5 cm
Height	:	23 cm
EAN	:	5949097743245