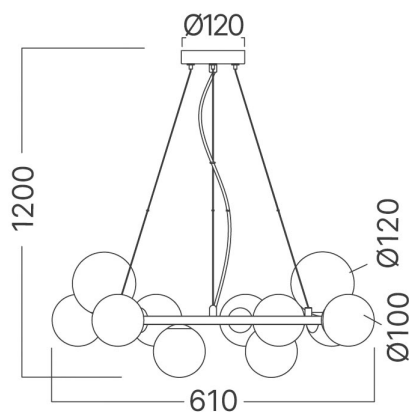


# Braytron

## TECHNICAL DATA SHEET

MODEL	BV01-00132
DESCRIPTION	BRY-S011R-11H-11xG9-OPL-PENDANT LIGHT



BRAYTRON SRL

MUNICIPIUL BUCUREȘTI, SECTOR 6, BLD. IULIU MANIU, NR.616, CORP B, ET.1,BUCUREȘTI,Sector 6(RO)  
info@braytron.com  
www.braytron.com

## General Characteristics

Model No	:	BV01-00132
Main Family	:	Decorative CLS
Sub Family	:	Glass OPL
Type	:	Pendant Light
Body Color	:	Black
Socket	:	G9
Warranty	:	2 Years
Class	:	CLASS I
IP	:	IP20

## Product Characteristics

Max. wattage	:	Max.11x10 w
--------------	---	-------------

## Electrical Characteristics

Voltage	:	220-240V 50/60Hz
Material	:	Metal-Glass
Working Temperature	:	-20°C ~ +40°C

## Dimensions & Weight

P. Length	:	610 mm
P. Width	:	610 mm
P. Height	:	1200 mm
Weight	:	2450 gr

## Package Informations

N.W.	:	2,45 kgs
G.W.	:	3,75 kgs
PCS/CTN	:	1
Length	:	55 cm
Width	:	50 cm
Height	:	29 cm
EAN	:	5949097743290