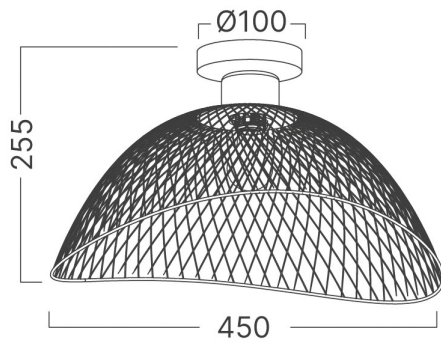


# Braytron

## TECHNICAL DATA SHEET

MODEL	BV03-00062
DESCRIPTION	BRY-W006C-1H-1xE27-BLC-CEILING LIGHT



BRAYTRON SRL

MUNICIPIUL BUCUREȘTI, SECTOR 6, BLD. IULIU MANIU, NR.616, CORP B, ET.1,BUCUREȘTI,Sector 6(RO)  
info@braytron.com  
www.braytron.com

## General Characteristics

Model No	:	BV03-00062
Main Family	:	Decorative CLS
Sub Family	:	Wiring
Type	:	Ceiling Light
Body Color	:	Black
Socket	:	1xE27
Warranty	:	2 Years
Class	:	Class I
IP	:	IP20

## Product Characteristics

Max. wattage	:	Max 1x23 w
--------------	---	------------

## Electrical Characteristics

Voltage	:	220-240V 50/60Hz
Material	:	Metal

## Dimensions & Weight

Weight	:	660 gr
--------	---	--------

## Package Informations

N.W.	:	0,66 kgs
G.W.	:	1,50 kgs
PCS/CTN	:	1
Length	:	465 mm
Width	:	470 mm
Height	:	205 mm
EAN	:	5949097733581