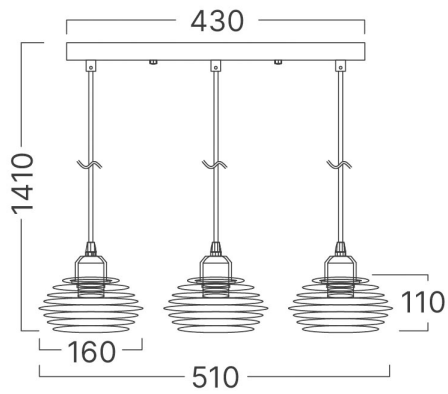


Braytron

TECHNICAL DATA SHEET

MODEL	BV03-00082
DESCRIPTION	BRY-W008S-3H-3xE27-BLC-PENDANT LIGHT



BRAYTRON SRL

MUNICIPIUL BUCUREȘTI, SECTOR 6, BLD. IULIU MANIU, NR.616, CORP B, ET.1,BUCUREȘTI,Sector 6(RO)
info@braytron.com
www.braytron.com

General Characteristics

Model No	:	BV03-00082
Main Family	:	Decorative CLS
Sub Family	:	Wiring
Type	:	Pendant Light
Body Color	:	Black
Socket	:	3xE27
Warranty	:	2 Years
Class	:	Class I
IP	:	IP20

Product Characteristics

Max. wattage	:	Max 3x23 w
--------------	---	------------

Electrical Characteristics

Voltage	:	220-240V 50/60Hz
Material	:	Metal

Dimensions & Weight

Weight	:	1900 gr
--------	---	---------

Package Informations

N.W.	:	11,40 kgs
G.W.	:	14,70 kgs
PCS/CTN	:	6
Length	:	520 mm
Width	:	350 mm
Height	:	480 mm
EAN	:	5949097735592