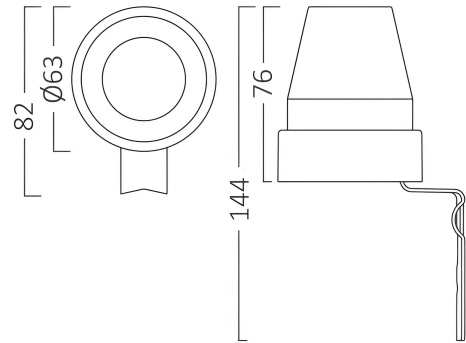


Braytron

TECHNICAL DATA SHEET

MODEL	BY31-03020
DESCRIPTION	BRY-PS01-10A-IP44-SENSOR



BRAYTRON SRL

MUNICIPIUL BUCUREȘTI, SECTOR 6, BLD. IULIU MANIU, NR.616, CORP B, ET.1,BUCUREȘTI, Sector 6(RO)
info@braytron.com
www.braytron.com

General Characteristics

Model No	:	BY31-03020
Main Family	:	Others
Sub Family	:	Sensor
Type	:	Sensor
Body Color	:	White
Warranty	:	2 Years
Class	:	CLASS II
IP	:	IP44

Product Characteristics

Max. wattage	:	Max.1800 w
--------------	---	------------

Electrical Characteristics

Lifetime	:	20000 h
Voltage	:	220-240V 50/60Hz
Material	:	PC
Working Temperature	:	-20°C ~ +40°C

Dimensions & Weight

Diameter	:	63 mm
P. Height	:	144 mm
Weight	:	99 gr

Sensor Informations

Sensor Type	:	Photosel
Lux	:	2-100 lux

Package Informations

N.W.	:	9,9 kgs
G.W.	:	13,3 kgs
PCS/CTN	:	100
Length	:	38 cm
Width	:	36 cm
Height	:	37 cm
EAN	:	5949097705922