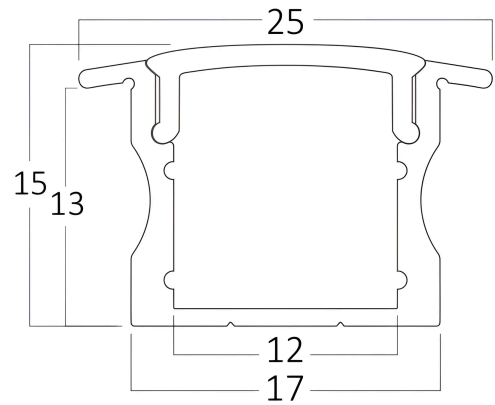


Braytron

TECHNICAL DATA SHEET

MODEL	BY39-00723
DESCRIPTION	BRY-RC1715-2MT-SLV-ALUMINIUM PROFILE



BRAYTRON SRL

MUNICIPIUL BUCUREȘTI, SECTOR 6, BLD. IULIU MANIU, NR.616, CORP B, ET.1,BUCUREȘTI,Sector 6(RO)
info@braytron.com
www.braytron.com

General Characteristics

Model No : BY39-00723

Main Family : Profiles

Sub Family : Aluminium Profile

Warranty : 2 Years

IP : IP20

Package Informations

EAN : 5949097747427

BRAYTRON SRL

MUNICIPIUL BUCUREȘTI, SECTOR 6, BLD. IULIU MANIU, NR.616, CORP B, ET.1,BUCUREȘTI,Sector 6(RO)

info@braytron.com

www.braytron.com