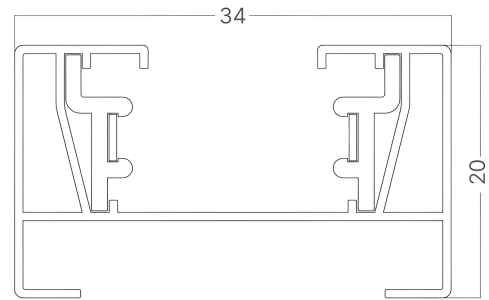


# Braytron

## TECHNICAL DATA SHEET

MODEL	BY40-00131
DESCRIPTION	BRY-3M-2WRS-BLC-TRACK RAIL



BRAYTRON SRL

MUNICIPIUL BUCUREȘTI, SECTOR 6, BLD. IULIU MANIU, NR.616, CORP B, ET.1,BUCUREȘTI,Sector 6(RO)  
info@braytron.com  
www.braytron.com

## General Characteristics

Model No	:	BY40-00131
Main Family	:	Track Lighting
Sub Family	:	Trackrails
Type	:	Trackrail
Body Color	:	Black
Socket	:	2 WIRES
Warranty	:	2 Years
Class	:	CLASS I
IP	:	IP20

## Electrical Characteristics

Lifetime	:	20000 h
Voltage	:	220-240V 50/60Hz
Material	:	Aluminium
Working Temperature	:	-20°C ~ +40°C

## Dimensions & Weight

P. Length	:	3000 mm
P. Width	:	32 mm
P. Height	:	35 mm
Weight	:	750 gr

## Package Informations

N.W.	:	15 kgs
G.W.	:	16,3 kgs
PCS/CTN	:	20
Length	:	303 cm
Width	:	20 cm
Height	:	10 cm
EAN	:	5949097707155